

FAST FLUSH™ QUICK STEP CONTROL DIAGRAMS

Figure A
Non-Operating

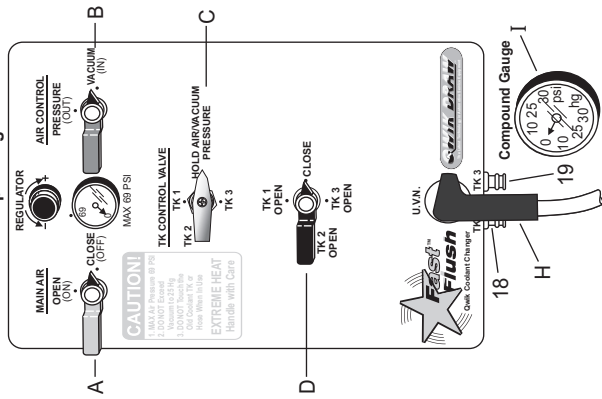


Figure B
Extracting Water & Cleaning Agent to TK 2

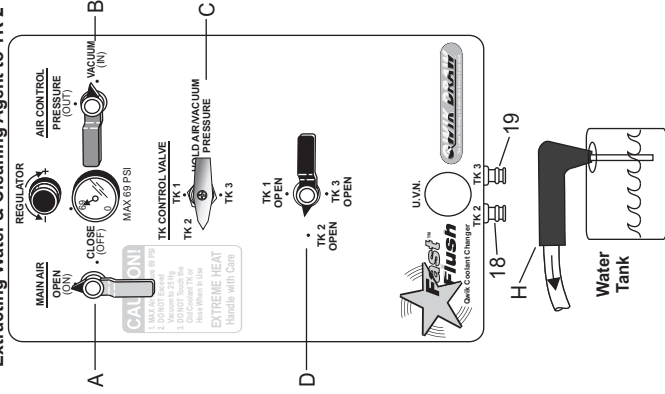


Figure C
Extracting New Coolant to TK 3

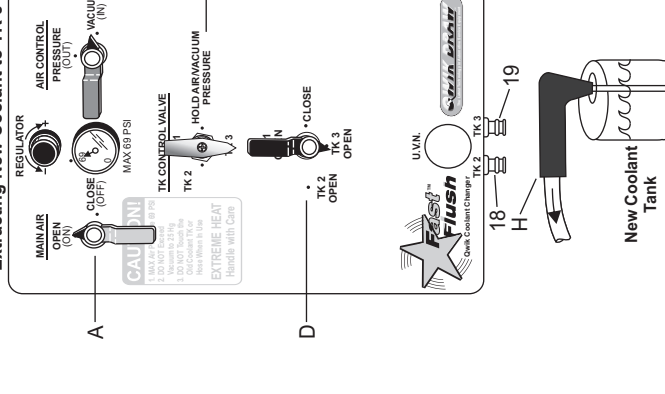


Figure D
Vacuuming Old Coolant from Radiator

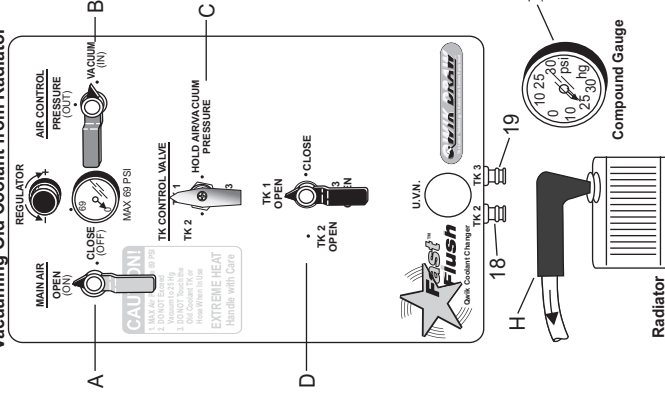


Figure E
Release Water & Cleaning Agent to Radiator

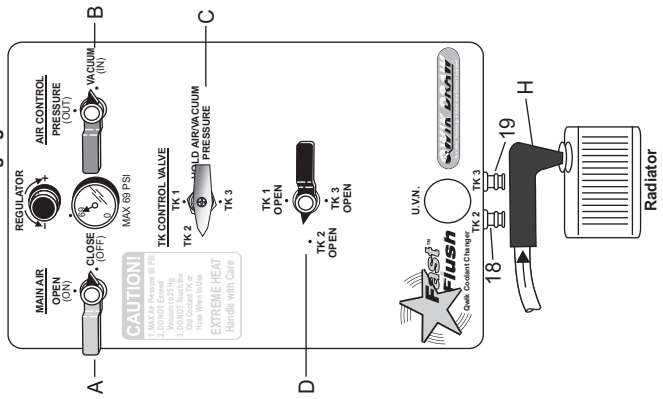


Figure F
Release New Coolant to Radiator

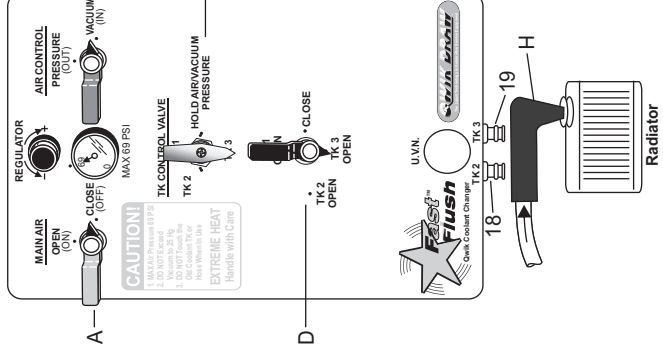


Figure G
Fill Reserve Tank with New Coolant

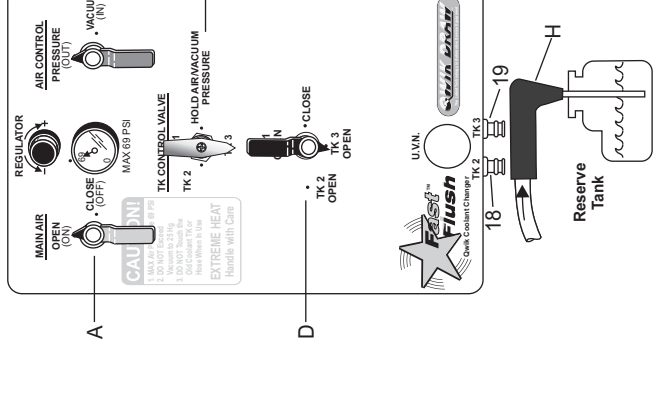


Figure H
Discharge Old Coolant to Waste Container

